

Powerline QC

Single Power Connectors



Ten 47 Limited

Unit 2B Frances Industrial Park
Kirkcaldy, Scotland, UK
KY1 2XZ

Tel: +44 (0)1592 655725

Fax: +44 (0)1592 651049

Email: sales@ten47.com

www.ten47.com

Index

Introduction	3
Sandwich Contact Retention System	4
Integrated Sliding Locking Pin	5
Slide Locking Retention System	6
Part Number Configuration	7
Powerline Cable Connectors	8
Powerline Panel Connectors	9
Environmental Locking Caps / Standard Dust Caps	10
Cable Connectors Dimensions	11
Panel Connectors Dimensions	12–13
Definitions and Terminology	14
Connector Parameters	15
Connector Rated Current	16
Reference Data for Cable Selection	17
Tools and Data	18
Assembly Instruction Guide	19–20
Disassembly Instruction Guide	21–22

Introduction



Background

Keyed "L" slot single pole connectors have become widely adopted in a diverse range of applications and industries.

One of the main features of early designs was the mechanically keying of the connectors to prevent possible connection errors; i.e., a Phase Line cannot be connected into Earth Line, etc.

It was evident that several enhancements to existing designs were possible to further improve the product but at the same time remaining intermateable.

Typical Applications

- Power Distribution
- Utilities
- Electric Vehicles
- Railway Equipment
- Military Field Power
- Mobile Generators
- Loadbanks
- Back-up Power Systems

Powerline Features

- 500 Mating Cycles minimum
- Intermateable with other versions
- IP2X Finger Protected contacts
- IP68 sealed when mated
- Remote tool required to release mated connectors
- For use with Electrical Power Cables
- Heavy Duty Hand Grips
- Clip retained contacts
- No Dowel/Cotter pin required
- Cable sizes from 25mm² to 300mm²
- Facilitate cables up to 37mm Ø
- High Impact Insulators
- Harmonised Colour Coding
- CE Compliant
- EN/ESI compliant Creepage and Clearance distances
- Multi-louver contact system
- Mechanically keyed to prevent connection errors
- Permanent Marking
- Set Screw and Crimp contact versions
- UL94 VO Flame Retardant
- Field Assembly & Repair
- No special tools required
- Daisy Chain hook up system

Sandwich Contact Retention System

Ten 47 introduce a unique two piece Single Pole 500 amp connector compatible with all industry standard brands. Building on our proven original Powerline connector series with familiar safety features such as mechanically keyed, colour coded insulators and finger proof contacts, the Ten 47 "Powerline QC" range offers many enhancements over existing designs.

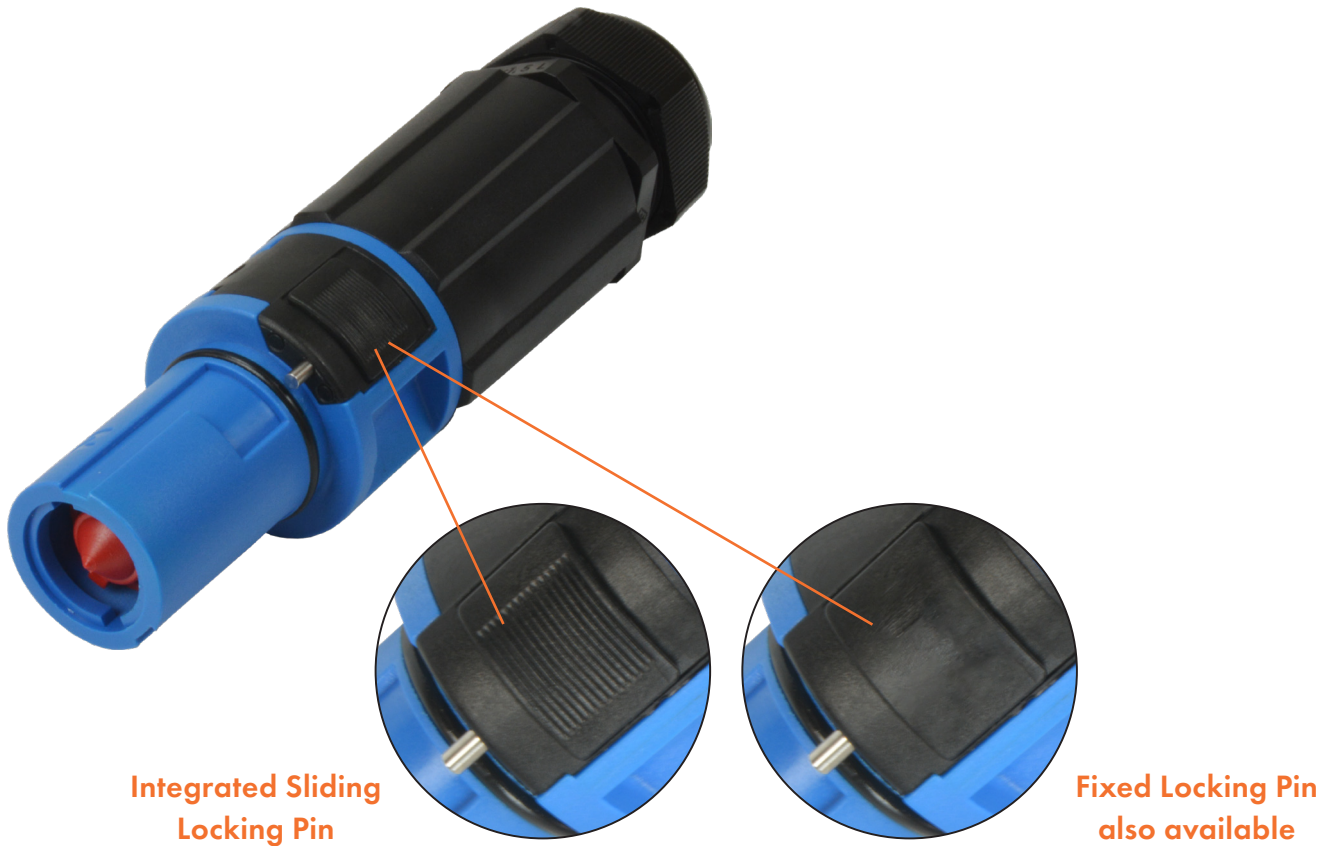
New innovations include centred contact alignment, low connector mating forces, improved mechanical insulator strength, IP protected retained louvre band and environmental sealing to IP68.

In addition our proprietary sandwich contact retention system within a two piece insulator body allows replaceable front ends and eliminates the need for a "Cotter/dowel pin" common on similar products ensuring reduced assembly and maintenance down times.



Integrated Sliding Locking Pin

Line drain connectors are supplied with a spring loaded integral secondary locking release key allowing the operator a quick and easy un-mating process.



Most versions of this connector format have relied upon the electrical contact being retained within the insulator by means of a plastic dowel/cotter pin. These pins are forced through a mating hole in the Insulator and contact and any re-use of the same pin may adversely affect the IP sealing of the connectors.

- The contacts are inserted from the rear and locked into place within a two piece insulator which is the first of its kind allowing the user to replace front ends should damage occur. One piece insulators on existing brands are particularly susceptible to damage in this area.
- The sandwich contact retention system within the two piece insulator body eliminates the need for a "Cotter/dowel pin" common on similar products, improving environmental sealing and reducing assembly and maintenance down times and costs.
- Ten 47 "Powerline" contacts are retained by a novel sandwich design that can withhold the equivalent weight of 100 metres of 185mm² cable.
- Improved mechanical insulator strength, abrasion resistance and a higher temperature rating.
- Line drain connectors are supplied with a spring loaded integral secondary locking release key allowing the operator a quick and easy un-mating process.
- Our new retained louvre band system (intellectual property protected) solves a common fault on existing brands which tend to loosen over prolonged use resulting in electrical faults, while remaining replaceable if damaged.

Slide Locking Retention System

Below, step by step images showing the Slide Locking Retention System in use.



Step 1

Cable connectors mated and held in place via the secondary locking pin.



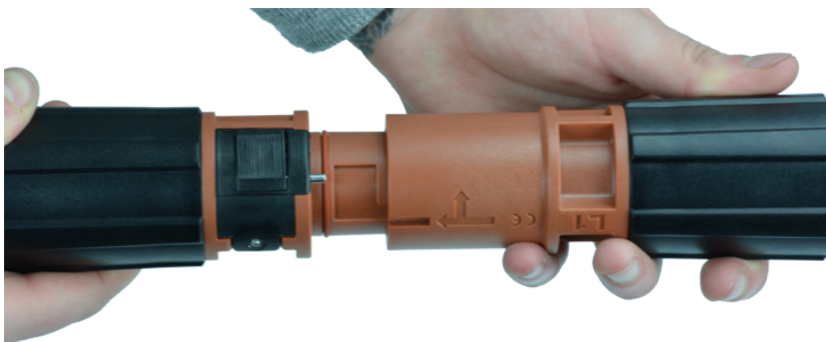
Step 2

Release integrated sliding release key.



Step 3

Twist to disengage key way.

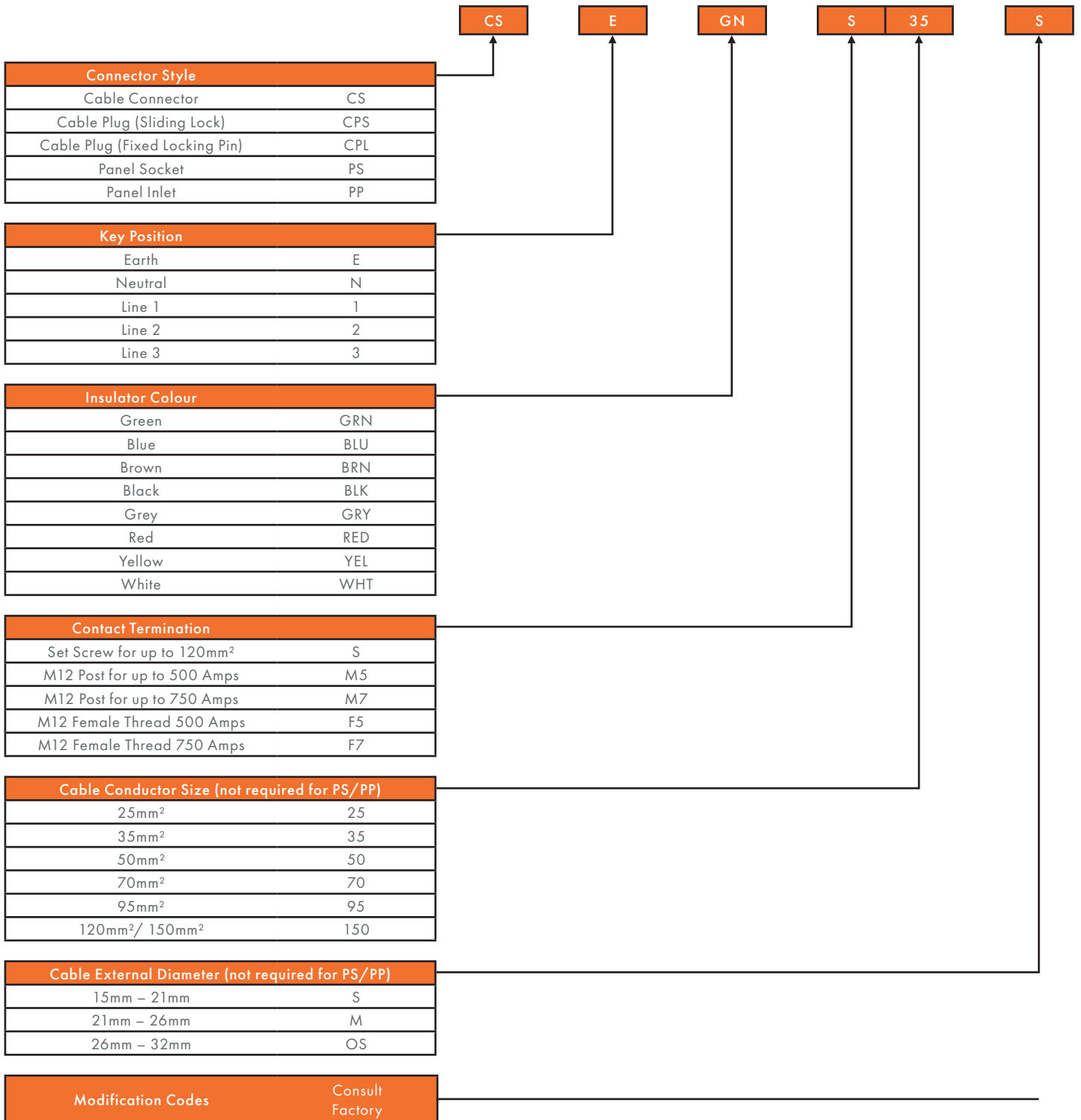


Step 4

Uncouple connectors.
Warning – Do not uncouple under load.

Part Number Configuration

(120/150mm² Set Screw with 21–25mm² Gland)



	Earth	Neutral	Line 1	Line 2	Line 3
UK & Europe	Green	Blue	Brown	Black	Grey
UK (Old)	Green	Black	Red	Yellow	Blue
USA	Green	White	Black	Red	Blue
Australia	Green	Black	Red	White	Blue

Powerline Cable Connectors

Cable Connector (Line Source)

Style "CS"

Cable Sockets are typically used as the Live or Supply side of the circuit and utilise a Solid Insulated contact tip to provide IP2X Finger Protection when unmated. "CS" Connectors incorporate a slot that engages with the Locking Pin on both the mating Panel Inlet and Cable Plug connectors.



Cable Plug (Line Drain)

Style "CP"

"CP" Connectors utilise a spring-mounted contact with a Double Insulated Sleeve that provides IP2X Finger Protection when unmated. The "CP" contact depresses the spring and sleeves to obtain Electrical connection. When unmated, they return automatically to the IP2X position. A Locking Pin engages with the slot on both the Panel Socket and Cable Socket when mated. The cable plug has an optional Slide release pin so no tool is required.



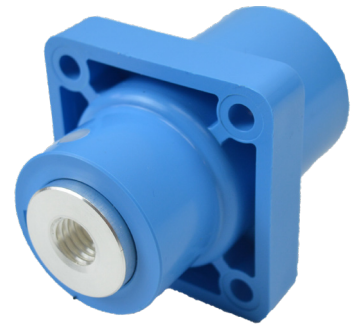
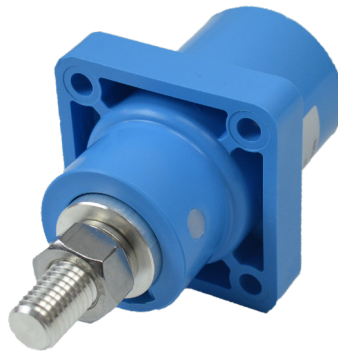
- When disconnected all connectors are IP2X Protected.
- In Line Connectors are supplied as standard with Metric Cable Glands.
- Connectors seal to IP68 when mated.
- Once mated, the connectors are separated by using a remote unlocking key, or the sliding pin on the cable plug.
- Panel connectors can be Front or Rear mounted on equipment.
- All connectors are mechanically keyed and individually colour coded to help prevent any possible cross connection errors. (See page 7 for key positions and colours.)

Powerline Panel Connectors

Panel Socket (Panel Source)

Style "PS"

Panel Socket Connectors are typically used as the Live or Supply side of the circuit and utilise a Solid Insulated contact tip to provide IP2X Finger Protection when unmated. "PS" Connectors incorporate a slot that engages with the Locking Pin on both the mating Panel Plug and Cable Plug connectors.



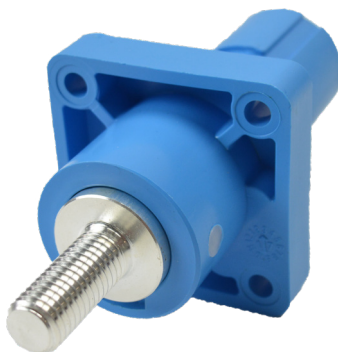
M12 Threaded Post

Female Thread version

Panel Plug (Panel Drain)

Style "PP"

"PP" Connectors utilise a spring-mounted contact with a Double Insulated Sleeve that provides IP2X Finger Protection when unmated. The "CS" contact depresses the spring and sleeves to obtain Electrical connection. When unmated, they return automatically to the IP2X position. A Locking Pin engages with the slot on both the Panel Socket and Cable Socket when mated.



M12 Threaded Post

Female Thread version

Environmental Locking Caps

Environmental caps offer increased protection.

Environmental caps are manufactured in high impact Black Acetal with retention line of 1.5mm thick nylon thread crimped with tinplated copper ferrules. In addition to the features of the standard dust cap, they offer IP67 rated sealing and made to fit into keyway to turn and hold in place.



ENV-CAP-PS

ENV-CAP-PP

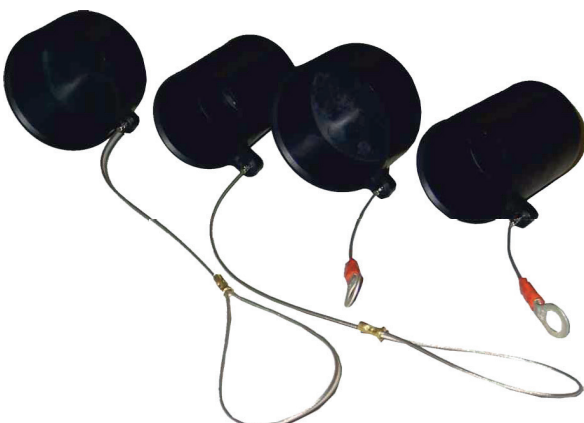


ENV-CAP-CS

ENV-CAP-CP

Standard Dust Caps

CAP-CS CAP-CP CAP-PS CAP-PP

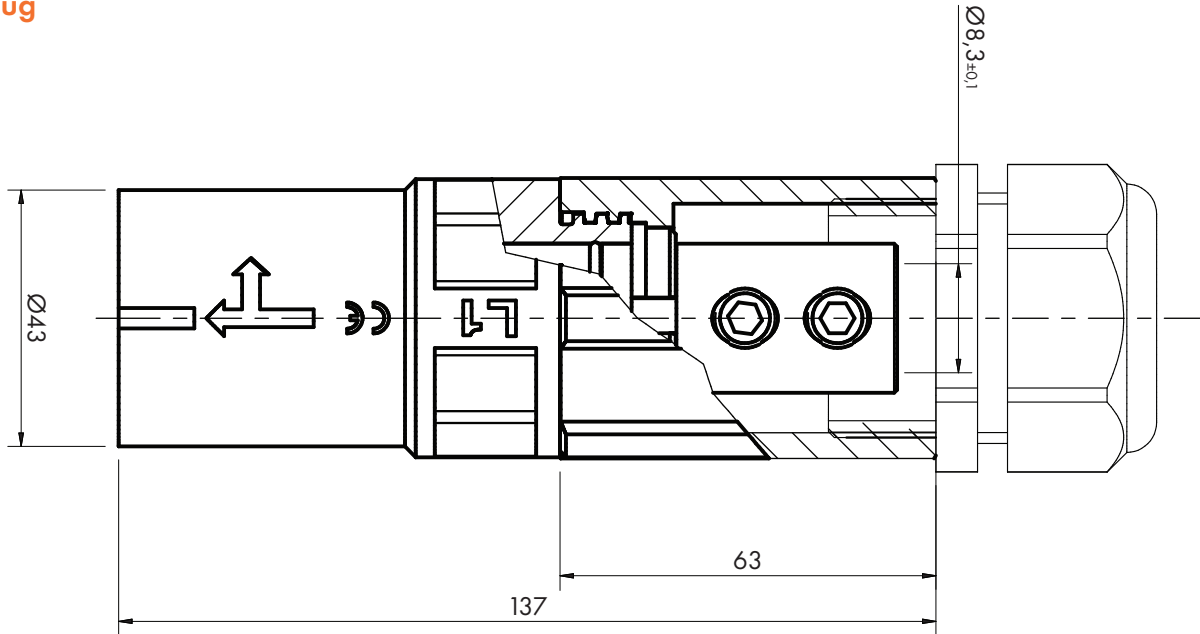


Plastic Push/Pull caps are fitted with retention line of 1.5mm thick nylon thread crimped with tinplated copper ferrules.

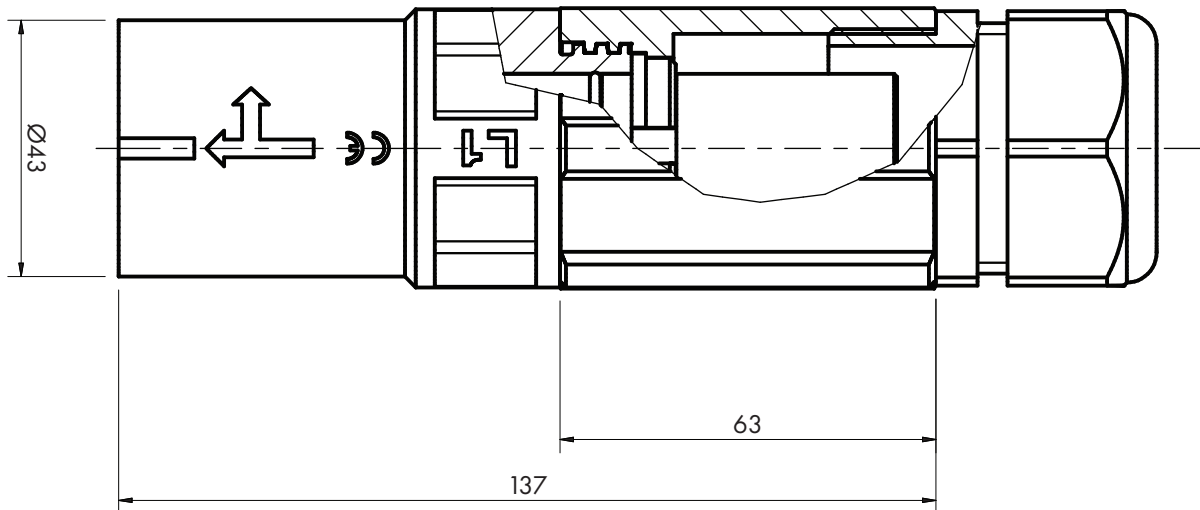
Ideal for indoor or waterproofed cabinets to protect against dust/particle ingress.

Cable Connectors Dimensions

Cable Plug

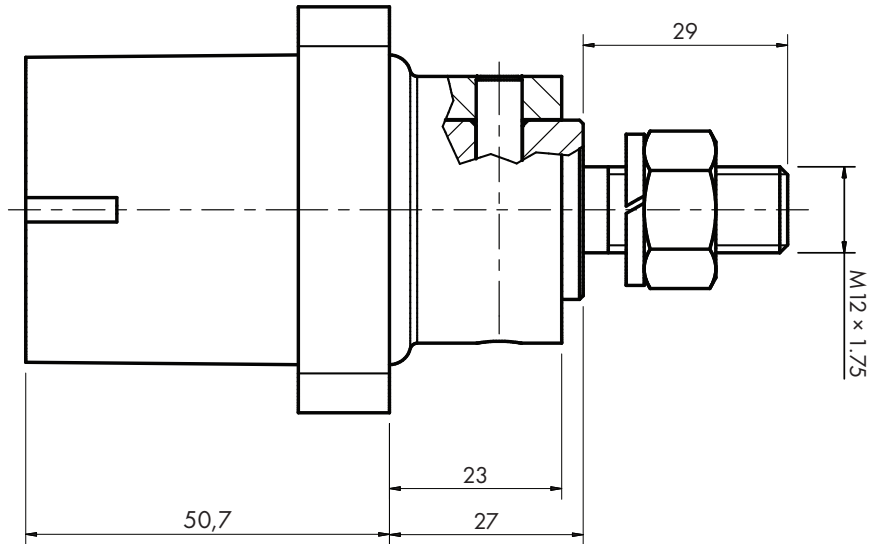


Cable Socket

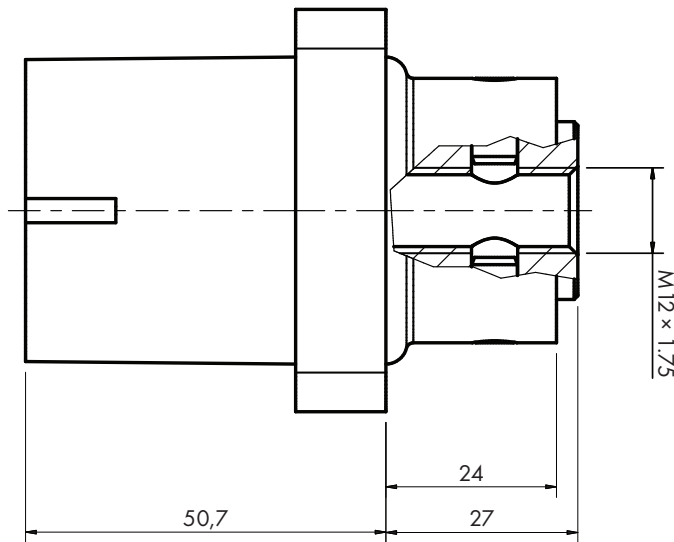


Panel Connectors Dimensions

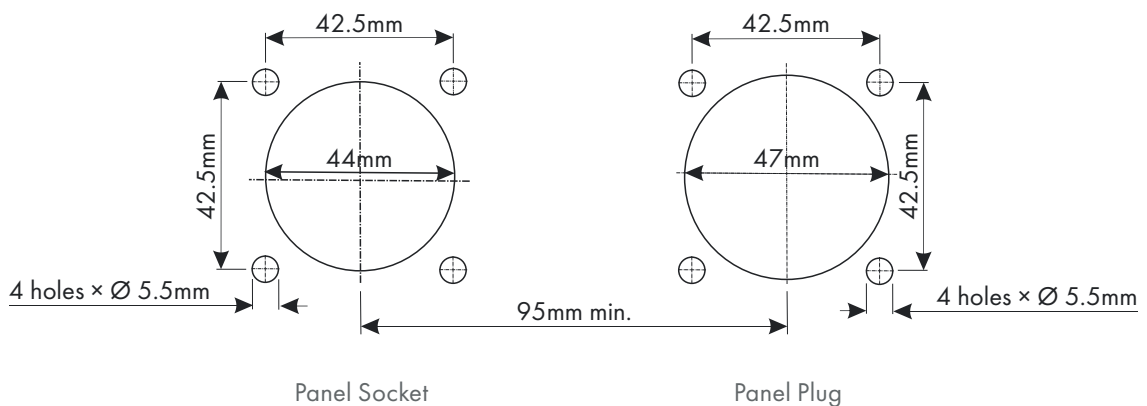
Panel Socket – M12 Threaded Post



Panel Socket – Female Thread version

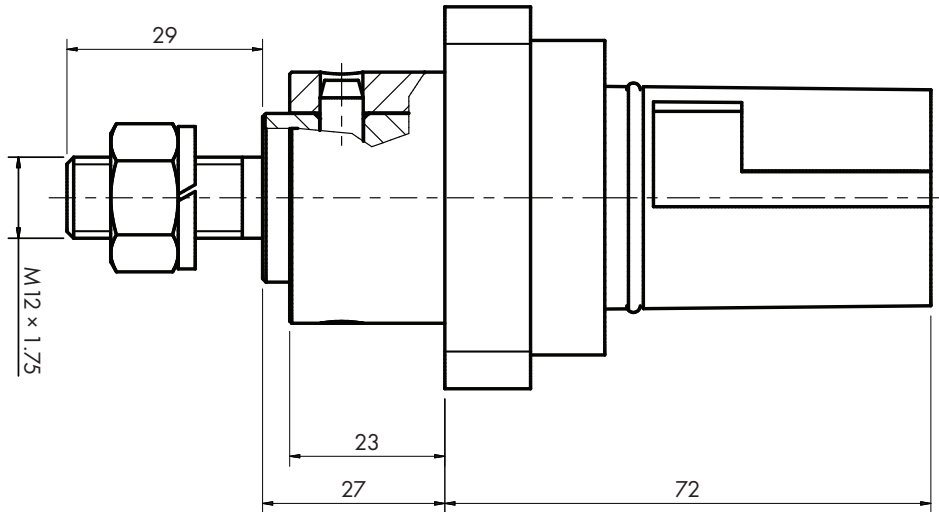


Cut Out Dimensions

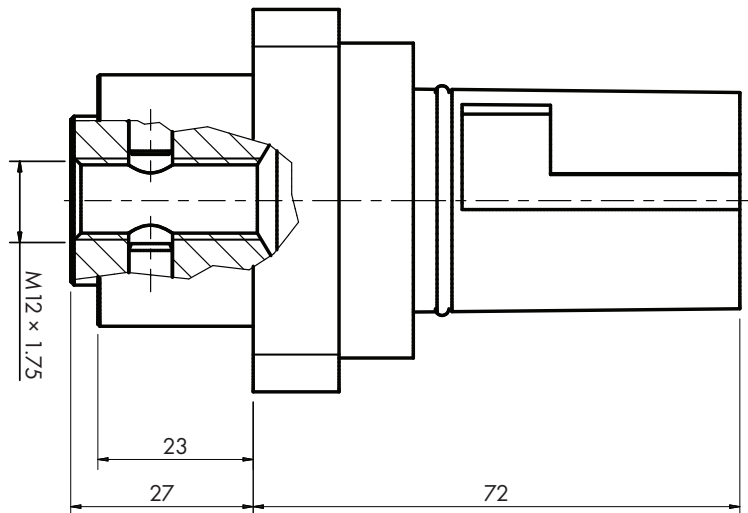


Panel Connectors Dimensions

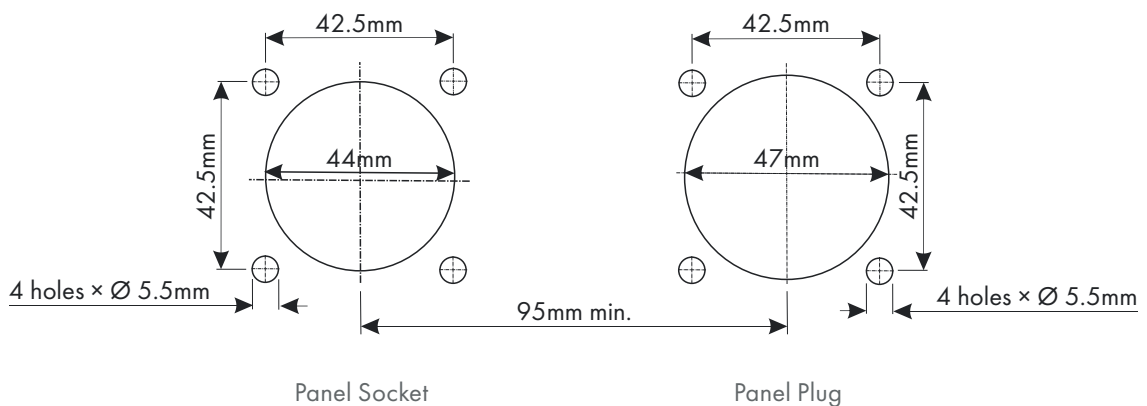
Panel Plug – M12 Threaded Post



Panel Plug – Female Thread version



Cut Out Dimensions



Definitions and Terminology

Rated Current

The current rating of the connector is determined by the conductor size and type utilised. Values are taken from IEE wiring regulations BS7671 Table 4F1A Reference method 12 (cables in Free Air). The quoted values relate to non-armoured Single core, copper stranded cable with Rubber insulation and an operating temperature of 85°C. The de-rated values for ambient temperature are taken from Table 4H2A.

Rated Voltage

The determined voltage of a connector from which the related operating characteristics are defined.

Contact Resistance

The resistance occurring at the point of two contact areas. Its value is calculated with the measured voltage drop and the rated current.

Test Voltage

The voltage the connector will withstand without breakdown or flashover under test conditions.

Surge Current

The current the connector will withstand during a short time surge or current spike. Duration 10msecs.

Ingress Protection

Level of resistance to dust and water ingress according to EN60529. When mated, Powerline connectors meet the requirements of IP68, submersible in water and closed to entry of foreign objects.

Creepage

The shortest distance along the surface of the Insulating material between two conductive parts. This is also a function of the properties of the insulating material.

Clearance

The shortest distance in air for arcing potential between two conductive parts.

CE Cable Glands

In December 1999, European standard EN50262 (metric glands) replaced the withdrawn standard DIN46320 (PG glands). The transition period for granting certification marks for PG glands ended on 1st March 2001. In order to comply with CE Certification requirements, Powerline utilises metric glands compliant with current legislation and specifications.

Mating Cycles

The minimum number of continuous mating operations the connectors will withstand without damage to their operation or safety. The values assume normal usage.

Set Screw Termination

Two threaded set screws at the cable entry point into the contact. The screws are tightened to compress a copper sleeve(s) fitted around the strands of the cable conductor. The standard contact is supplied with a sleeve suitable for 120/150mm² CSA. When used with smaller cable sizes, additional sleeves are required to suit the cable size. The contacts are Silver Plated Copper Alloy.

Crimp Termination

Compression termination. The contacts are Silver Plated Oxygen Free high conductivity Copper.

Fixed Locking

Once mated, the connectors are locked together via a metal pin. Connectors can be unlocked via the integrated locking release key. This version provides additional safety where unsupervised or public access to live equipment may be possible.

Harmonised Colour Coding

On 31st March 2004, the IEE published Amendment No. 2 to BS7671: 2001 (IEE Wiring Regulations). This amendment specifies new cable core colours for Electrical installations in the UK. These "Harmonised" colours bring the UK more closely in line with practice in mainland Europe. Electrical installation work commencing after 31st March 2004 may use harmonised colours or the pre-existing colours, but not both. Work commencing after 31st March 2006 will be required to comply with harmonised colours and must not use old colours.

Powerline Series

New Harmonised Colour Codes & Marking for Single and Three-Phase applications.

Slide Locking

A version is available for the cable plug where a slide pin is used to allow unlocking without a remote key.

Function	Alphanumeric	Colour
Phase of single phase circuit	L	Brown
Neutral of single or three-phase circuit	N	Blue
Phase 1 of three-phase a.c. circuit	1	Brown
Phase 2 of three-phase a.c. circuit	2	Black
Phase 3 of three-phase a.c. circuit	3	Grey

Connector Parameters

Technical Parameter	Value
CS-*_***-S150-S weight	0.54kg
CS-*_***-S150-M weight	0.54kg
CS-*_***-S150-OS weight	0.57kg
CP*-*_***-S150-S weight	0.44kg
CP*-*_***-S150-M weight	0.44kg
CP*-*_***-S150-OS weight	0.47kg
PS-*_***-M5 weight	0.33kg
PP-*_***-M5 weight	0.31kg
PS-*_***-M7 weight	0.35kg
PP-*_***-M7 weight	0.33kg
PS-*_***-F5 weight	0.27kg
PP-*_***-F5 weight	0.25kg
PS-*_***-F7 weight	0.29kg
PP-*_***-F7 weight	0.27kg
Set Screw Control Tightening Torque	12Nm
Panel Contact Tightening Torque	30Nm max
Cable Gland Tightening Torque	13Nm
Minimum Mating Cycles	500
Contact Retention in Insulator	2.5kN Axial Load
Flammability	UL94 V0
Environmental Sealing (when mated)	IP68
Rated Voltage to Earth	2000V AC
Minimum Flashover (EN60309-1)	6.8kV AC – 1 minute
Minimum Insulation Resistance	5Gohms @ 500v
Operating Voltage	1000V AC or DC
Test Voltage (Mated Condition)	5kV – 1 minute @ 50Hz
Contact Resistance	<5mohms
Short Circuit Current – 1 second	16kA
Short Circuit Current – 3 seconds	12kA
Surge Current (DIN VDE 0102/1.90)	62kA – 10mseconds
Creepage Distance	>25mm
Clearance Distance	>25mm
Temperature Range	-30°C / +125°C

Connector Rated Current

Connector Style	Part Number	Current (Amps)	Minimum Cable c.s.a. for Rated Current (in free air)	Contact Termination
Panel Socket	PS-*_***-M5	495	150mm ²	M12 Thread
Panel Inlet	PP-*_***-M5	495	150mm ²	M12 Thread
Panel Socket	PS-*_***-M7	750	300mm ²	M12 Thread
Panel Inlet	PP-*_***-M7	750	300mm ²	M12 Thread
Panel Socket	PS-*_***-F5	495	150mm ²	M12 Thread
Panel Inlet	PP-*_***-F5	495	150mm ²	M12 Thread
Panel Socket	PS-*_***-F7	750	300mm ²	M12 Thread
Panel Inlet	PP-*_***-F7	750	300mm ²	M12 Thread
Cable Connector	CS-*_***-S25-*	154	25mm ²	Set Screw
Cable Connector	CS-*_***-S35-*	192	35mm ²	Set Screw
Cable Connector	CS-*_***-S50-*	235	50mm ²	Set Screw
Cable Connector	CS-*_***-S70-*	303	70mm ²	Set Screw
Cable Connector	CS-*_***-S95-*	370	95mm ²	Set Screw
Cable Connector	CS-*_***-S150-*	431	120mm ²	Set Screw
Cable Connector	CS-*_***-S150-*	495	150mm ²	Set Screw
Cable Plug	CP*_*_*_*_*-S25-*	154	25mm ²	Set Screw
Cable Plug	CP*_*_*_*_*-S35-*	192	35mm ²	Set Screw
Cable Plug	CP*_*_*_*_*-S50-*	235	50mm ²	Set Screw
Cable Plug	CP*_*_*_*_*-S70-*	303	70mm ²	Set Screw
Cable Plug	CP*_*_*_*_*-S95-*	370	95mm ²	Set Screw
Cable Plug	CP*_*_*_*_*-S150-*	431	120mm ²	Set Screw
Cable Plug	CP*_*_*_*_*-S150-*	495	150mm ²	Set Screw

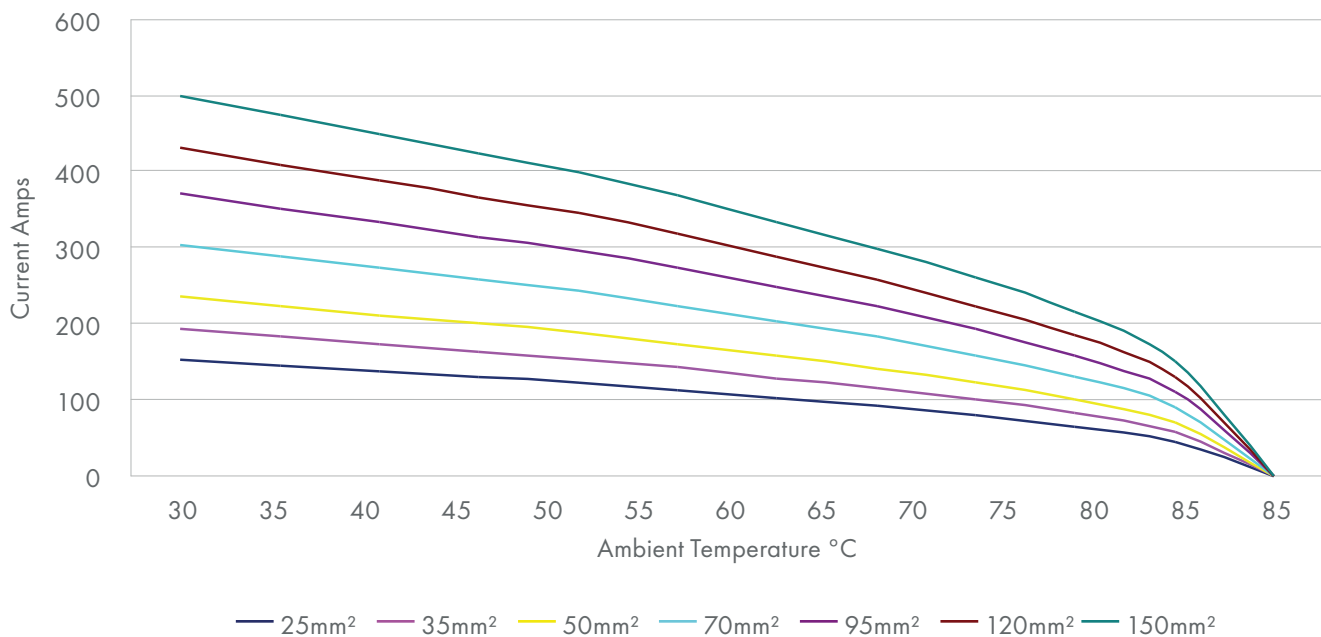
* = Key Position (Earth, Neutral, Line 1, Line 2, Line 3)

*** = Colour (Green, Blue, Brown, Black, Grey)

Reference Data for Cable Selection

The Current Rating of the connector is determined by the conductor size and type utilised. For this publication, values are taken from IEE wiring regulations BS7671 Table 4F1A Reference Method 12 (Free Air). The quoted values relate to non-armoured Single Core, Copper stranded cables with Rubber Insulation and an operating temperature of 85°C.

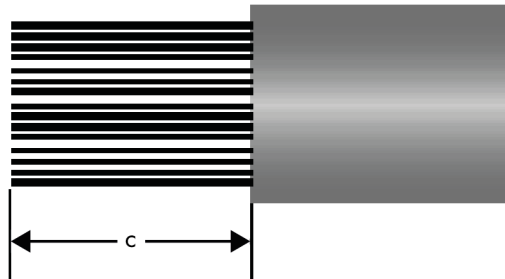
Derating Data for 85°C for Rubber Insulated Cables



Powerline contacts are suitable for termination onto Aluminium conductors for short term applications. However, we recommend that bi-metallic contacts or cable lugs are used to provide optimum electrical and mechanical performance over time and repeated use.

Tools and Data

Cable Size	Up to 120mm ²
Insulation Strip (dim C)	33mm

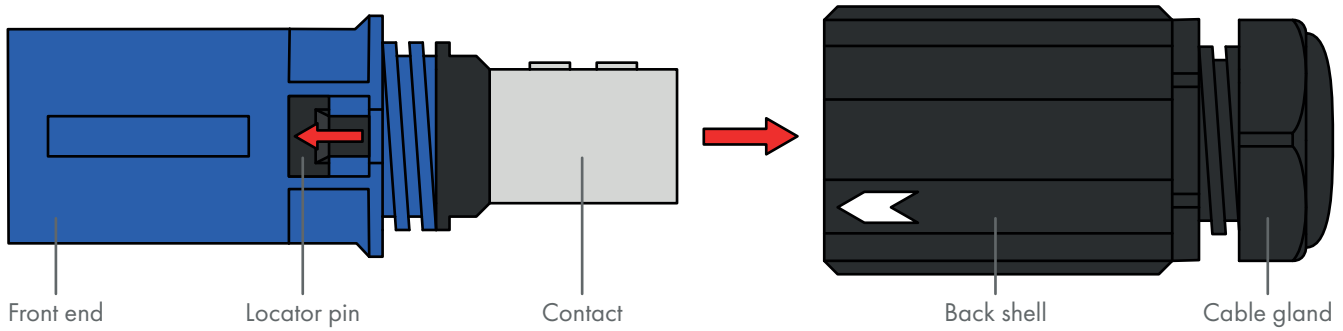


Connector Release Key: REM-FL

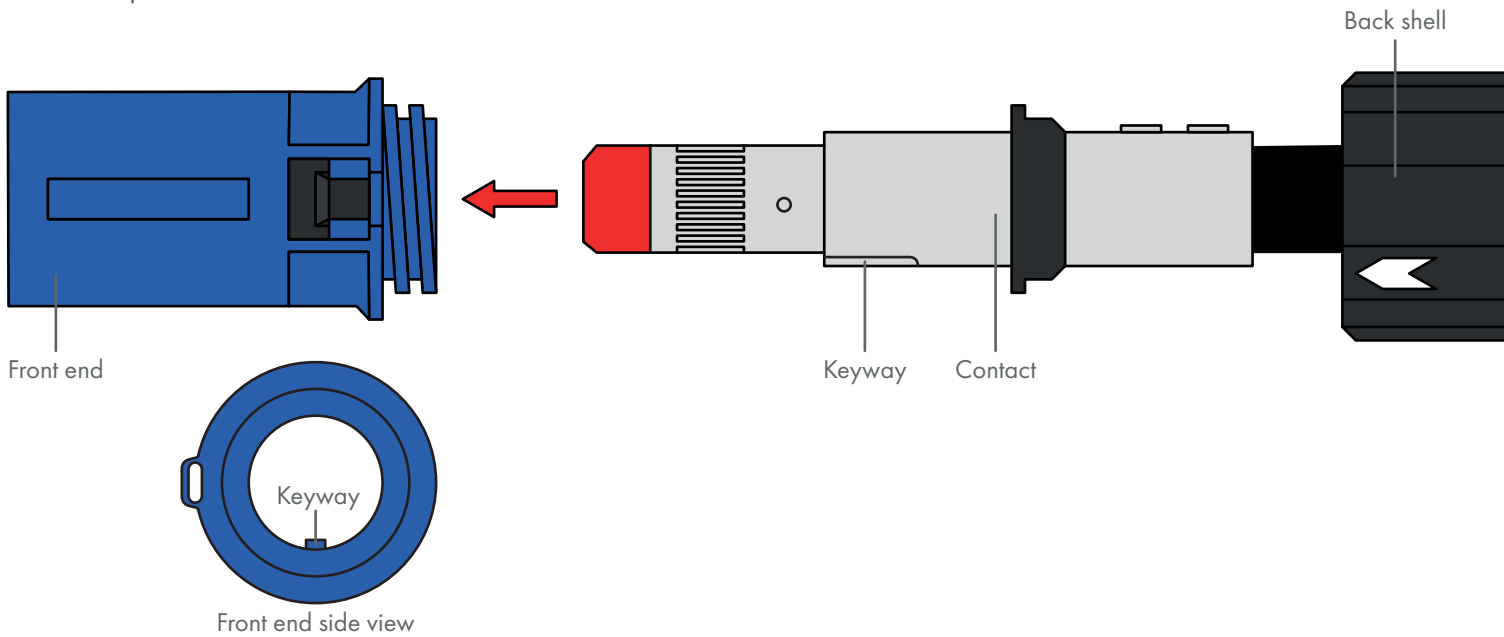
To release a mated pair of connectors without the integrated locking key, we recommend the use of our REM-FL key. It is designed to push the secondary locking pin away from the locked position without any damage occurring to the Insulator.

Assembly Instruction Guide

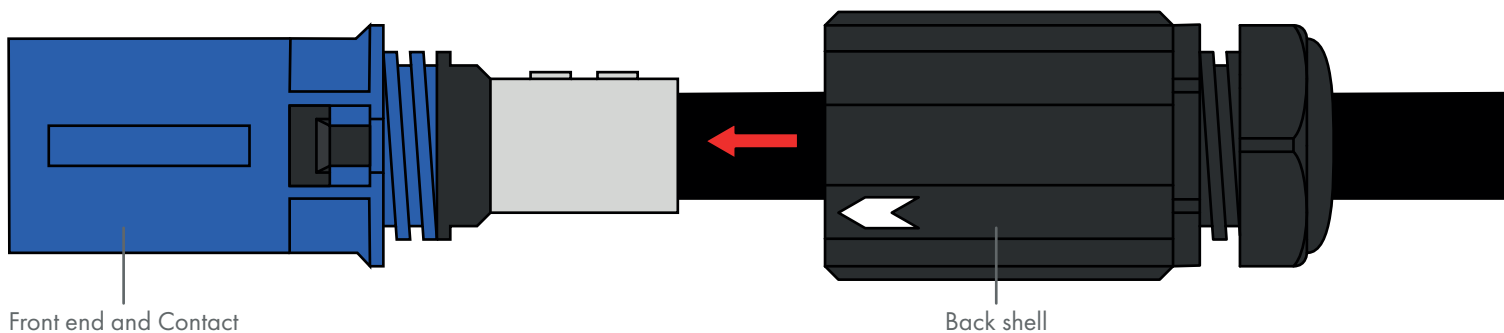
1. Remove packaging and disassemble connector by sliding locator pin up to unsecure, then turn back shell counter clockwise to remove and slide out contact.



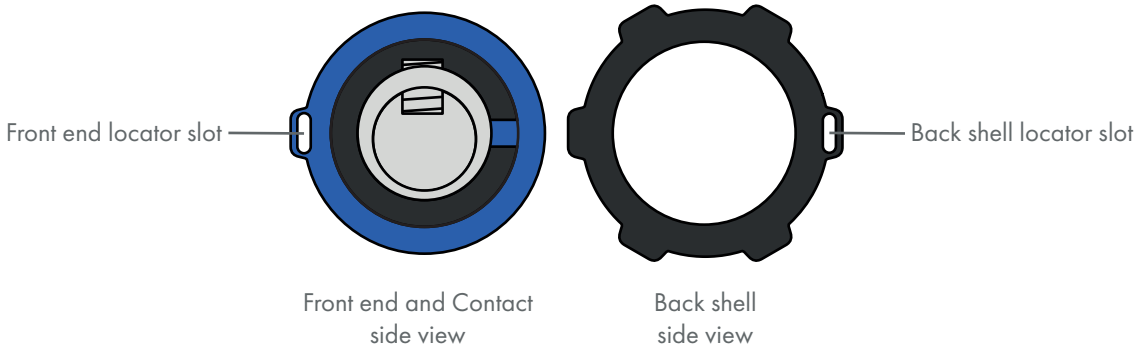
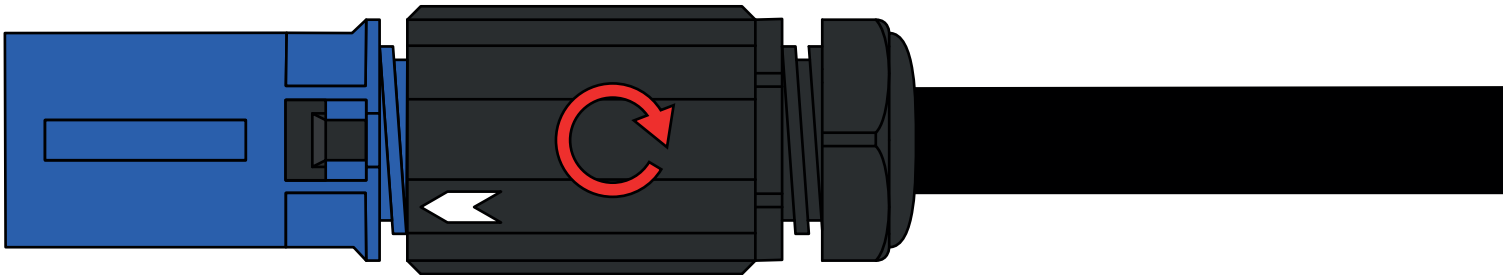
2. To reassemble, slide back shell and cable gland down the cable, fully insert terminated contact into the front end. Please note, on male contact (as shown below) slotted keyway in contact must align with keyway in moulding. Not required on female line drain.



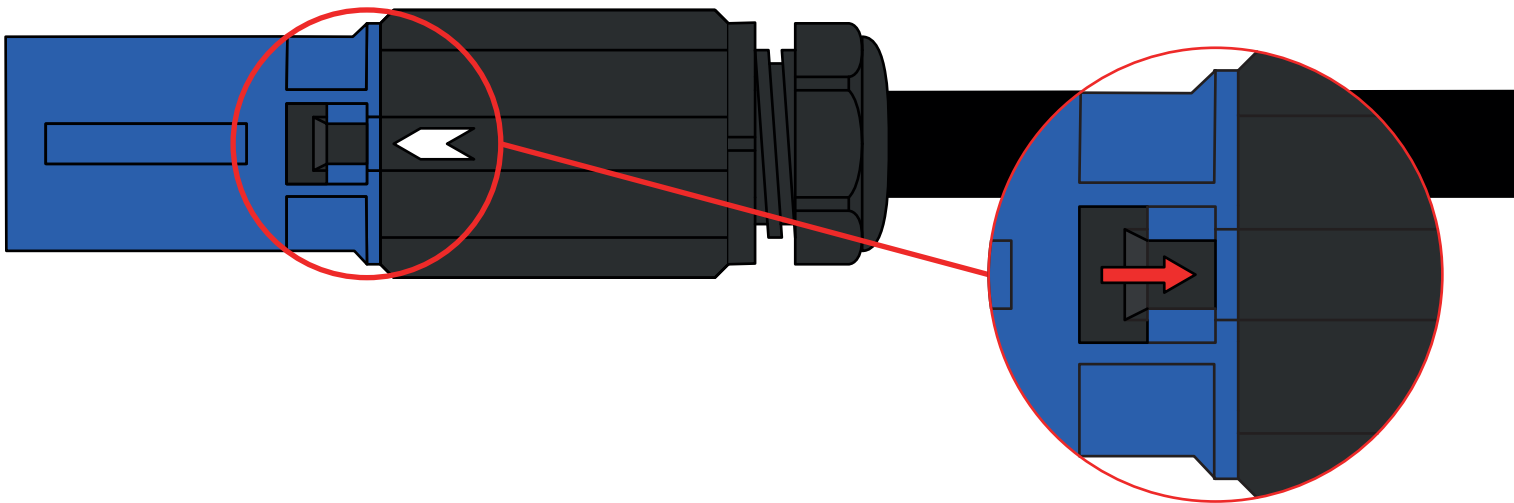
3. Place the back shell over the contact to connect with front end.



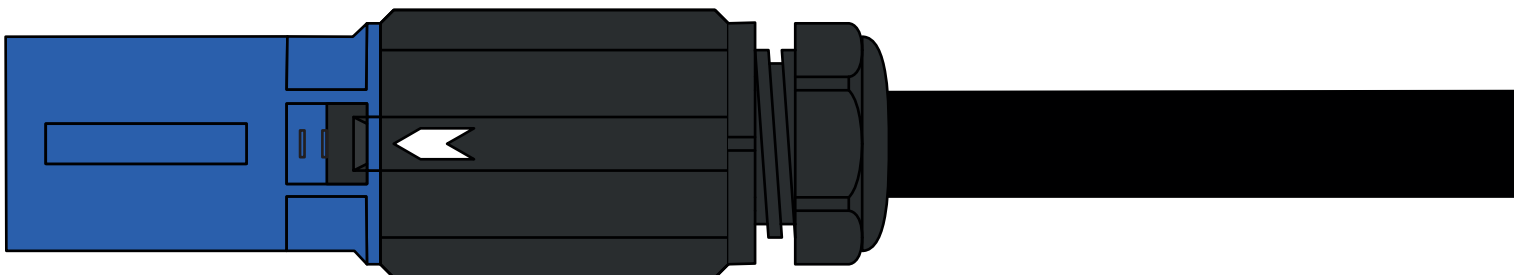
4. Turn back shell clockwise to screw into front end, making sure the arrow on back shell is lined up with front end locator pin.



5. Slide locator pin up to make it secure.

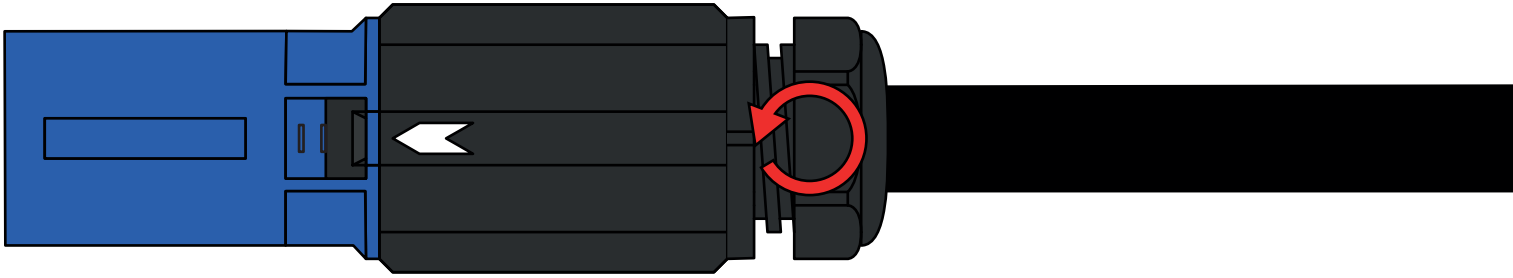


6. Completed.

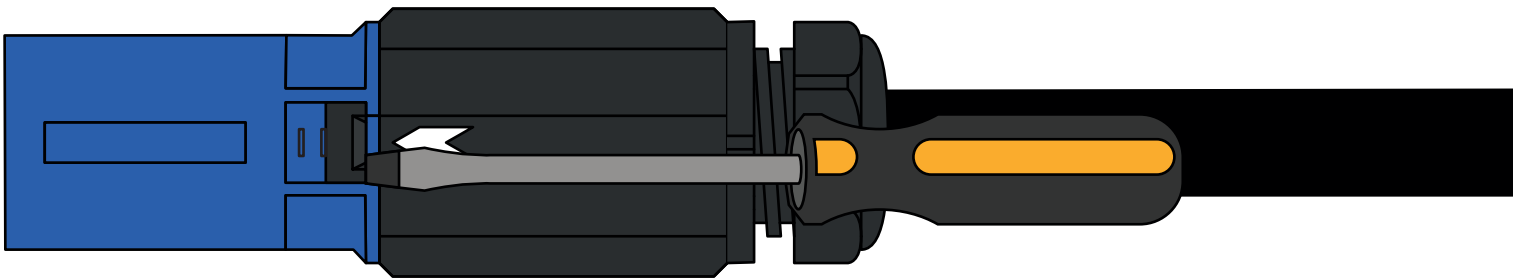


Disassembly Instruction Guide

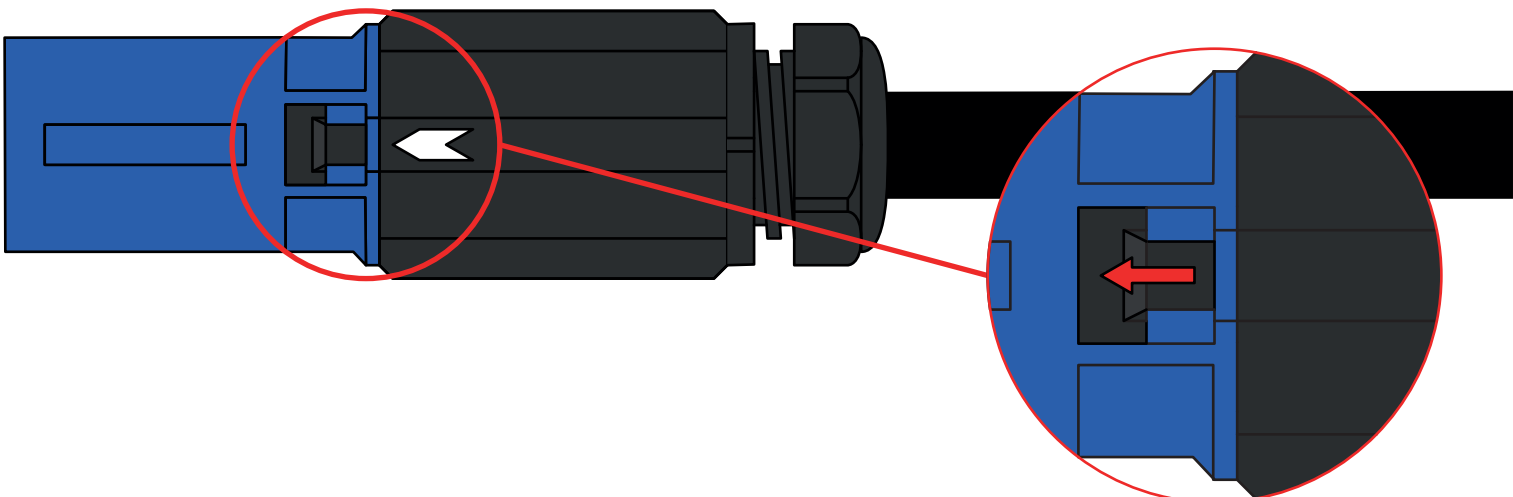
1. Turn gland anti-clockwise to loosen.



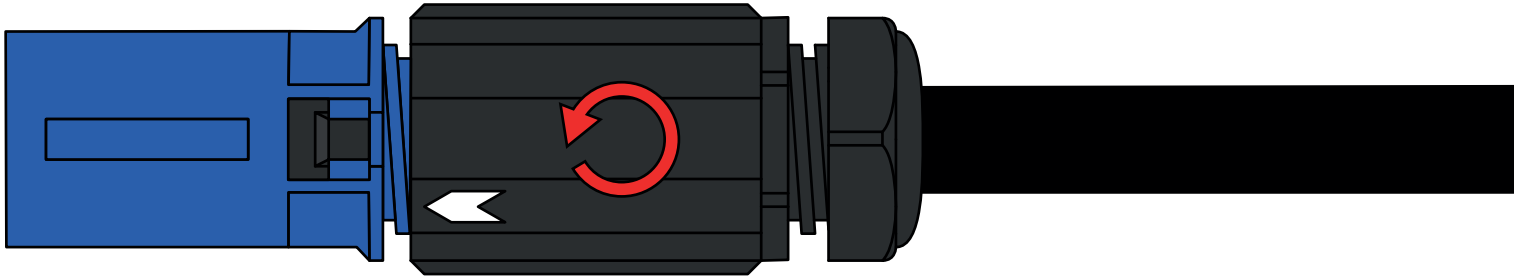
2. Unclip locator pin with small flat screwdriver.



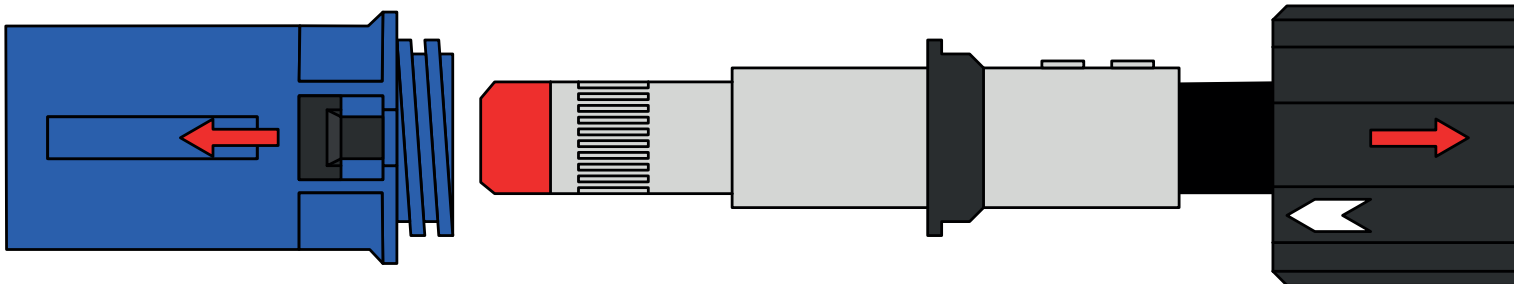
3. Slide locator pin down to unsecure it.



4. Turn back shell anti-clockwise to unscrew from front end.



5. Remove front end from contact and slide back shell up the cable.



Also available from Ten 47



High Quality, Durable
Cable Protection Systems
www.cableguard.eu



maas 
CONNECTIVITY PARTS AND SYSTEMS

Maas CPS B.V.
Ambachtsweg 2
1474 HW Oosthuizen
Tel: +31(0)299 391515
Email: sales@maascps.com
www.maascps.com

Ten 47 Limited

Unit 2B Frances Industrial Park
Kirkcaldy, Scotland, UK
KY1 2XZ

Tel: +44 (0)1592 655725
Fax: +44 (0)1592 651049
Email: sales@ten47.com
www.ten47.com