

# Vanten

400Amp Keyed Single Pole Connectors



Ten 47 Limited

Unit 2B Frances Industrial Park  
Kirkcaldy, Scotland, UK  
KY1 2XZ

Tel: +44 (0)1592 655725

Fax: +44 (0)1592 651049

Email: [sales@ten47.com](mailto:sales@ten47.com)

[www.ten47.com](http://www.ten47.com)

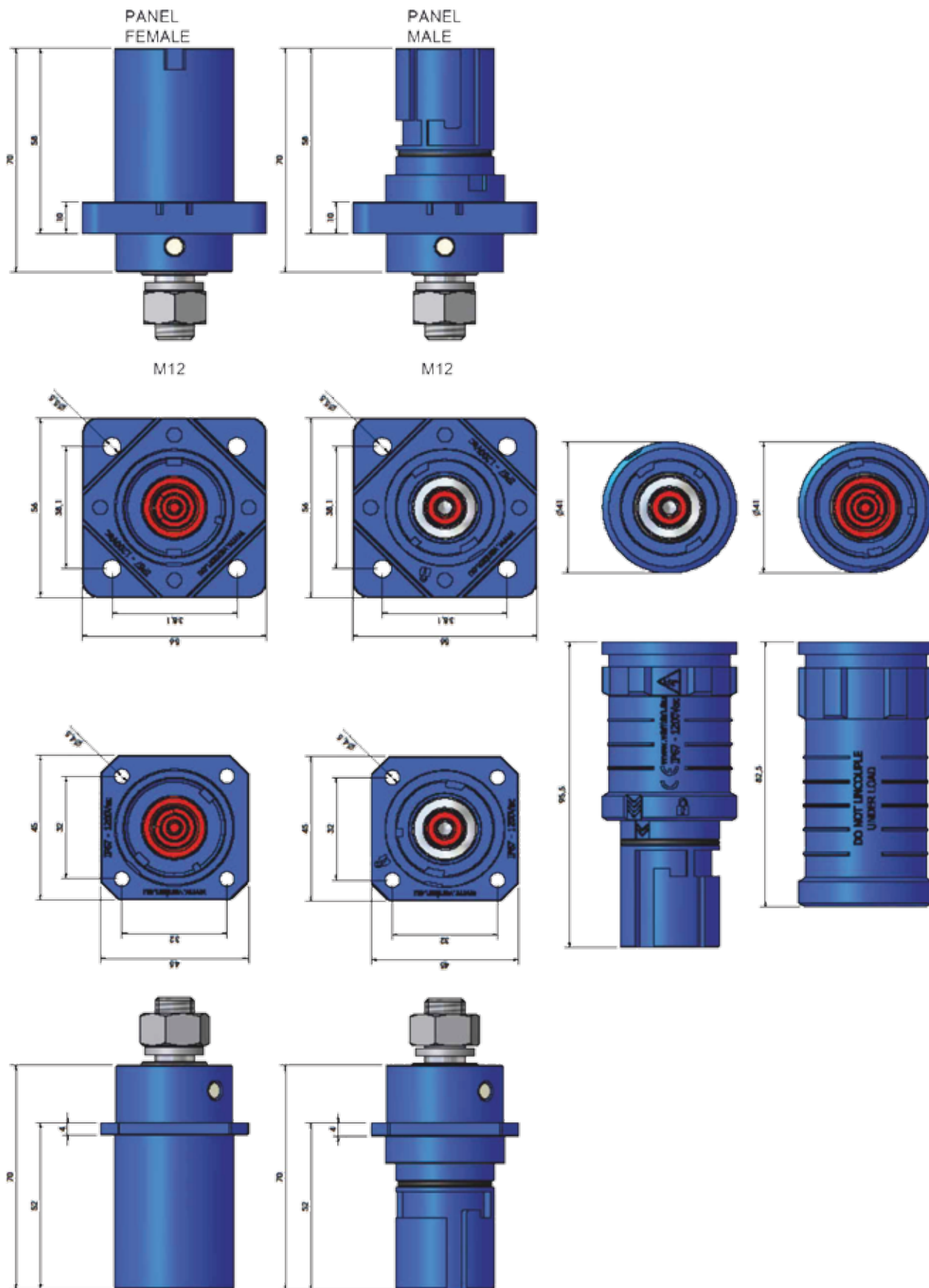
# VANTEN

## 400Amp Keyed Single Pole Connectors



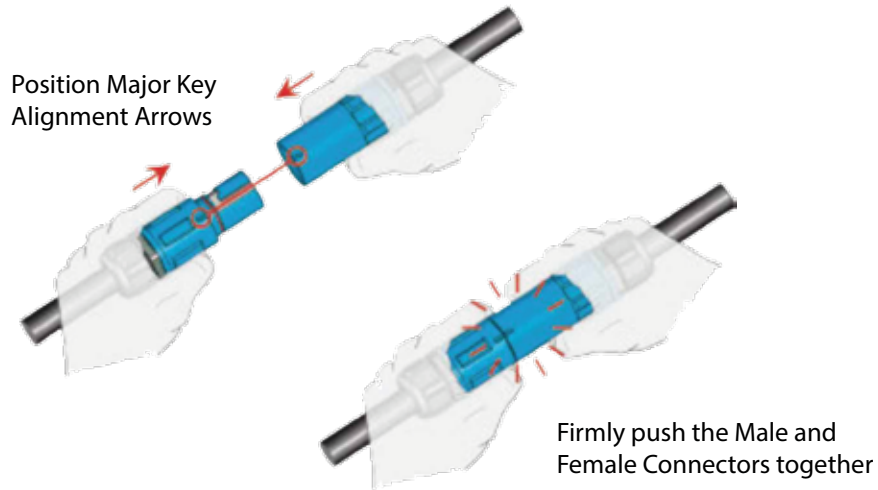
- KSPC: Keyed Single Pole Connectors to EN 61984, IEC 60529 and BS7909\*
  - IP2X: Finger Protection on Male and Female contacts
  - Colour Coded and mechanically Keyed to prevent connection errors
  - UL94-V0 Rated
  - Cable range from 16mm<sup>2</sup> to 120mm<sup>2</sup> (4/0AWG)
  - Multi louver contact system
  - Reduced flange size option
  - No special tools for assembly or disconnection
  - Spring Locking action
  - CE compliant
- \*where applicable



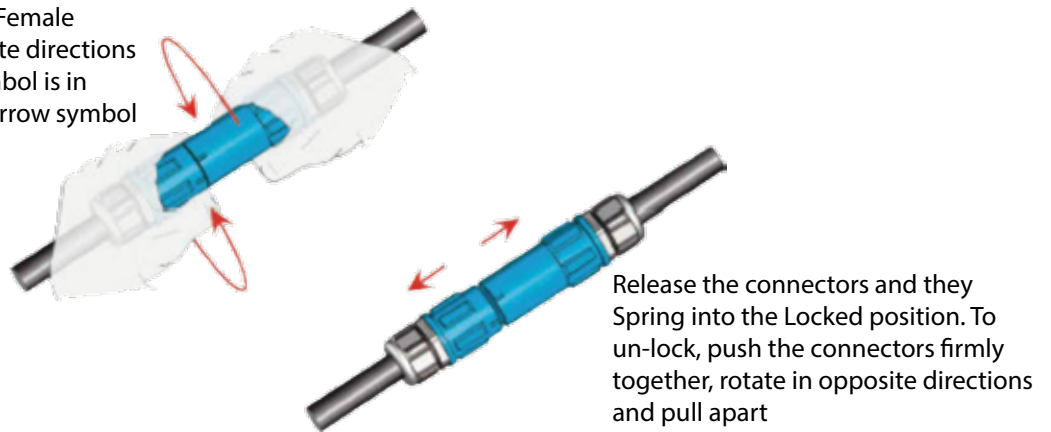


# VANTEN CONNECTORS

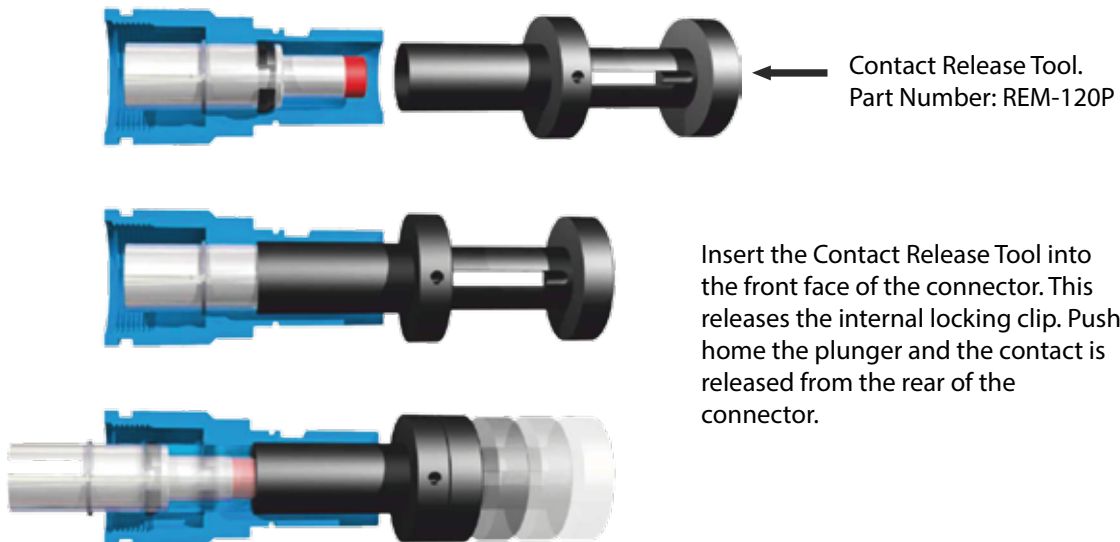
## 400Amp Keyed Single Pole Connectors



Rotate the Male and Female  
connectors in opposite directions  
until the Padlock symbol is in  
alignment with the Arrow symbol



## CONTACT REMOVAL



## Characteristics

Insulation	1250V
Maximum panel thickness to guarantee insulation	6mm
Panel contact tightening torque	30Nm Max
Contact retention in Insulator	400N axial load
Inline contact retention	Plastic Clip
Panel mount contact retention	Dowel Pin
Contact release	Front
M32 Clamping range	7mm ÷ 25mm
Flammability	UL94 V0
Environmental sealing (when mated)	IP67
Connector protection (unmated)	IP2X
Rated voltage to Earth	1750VAC, panel thickness<4mm 1250VAC, panel thickness>4mm
Contact resistance	<0.1mOhms
Short circuit current	11KA -1 seconds
Short circuit current	4KA – 3 seconds
Surge current (din VDE 0102/1.90)	45KA – 10 mseconds
Temperature range	-30°C/+120°C

Series	Flange	Key Position	Colour	Contact	Cable gland
VTPF	R	E	GN	T2	

Series	
VTPF	Panel Female
VTPM	Panel Male
VTCF	Cable Female
VTCM	Cable Male
Reduced flange	
-	Normal
R	Reduced flange
Key Position	
1	Line 1
2	Line 2
3	Line 3
N	Neutral
E	Earth

Contact Type	
C120	Crimp 95—>120mm <sup>2</sup>
S70	Set Screw 70mm <sup>2</sup>
S50	Set Screw 50mm <sup>2</sup>
S35	Set Screw 35mm <sup>2</sup>
S25	Set Screw 25mm <sup>2</sup>
S16	Set Screw 16mm <sup>2</sup>
T2	Panel Mount 250A Brass
T4	Panel Mount 400A Copper
Cable gland	
OS	15-25mm
M	11-21mm
S	7-15mm

Colour	
GN	Green
BU	Blue
BR	Brown
BK	Black
GY	Grey
RD	Red
YE	Yellow
WH	White



ISO 9001 : 2008  
Certificate : FS581148

Also available from Ten 47



High Quality, Durable  
Cable Protection Systems  
[www.cableguard.eu](http://www.cableguard.eu)



**maas**   
CONNECTIVITY PARTS AND SYSTEMS

Maas CPS B.V.  
Ambachtsweg 2  
1474 HW Oosthuizen  
Tel: +31(0)299 391515  
Email: [sales@maascps.com](mailto:sales@maascps.com)  
[www.maascps.com](http://www.maascps.com)

**Ten 47 Limited**

Unit 2B Frances Industrial Park  
Kirkcaldy, Scotland, UK  
KY1 2XZ

Tel: +44 (0)1592 655725  
Fax: +44 (0)1592 651049  
Email: [sales@ten47.com](mailto:sales@ten47.com)  
[www.ten47.com](http://www.ten47.com)