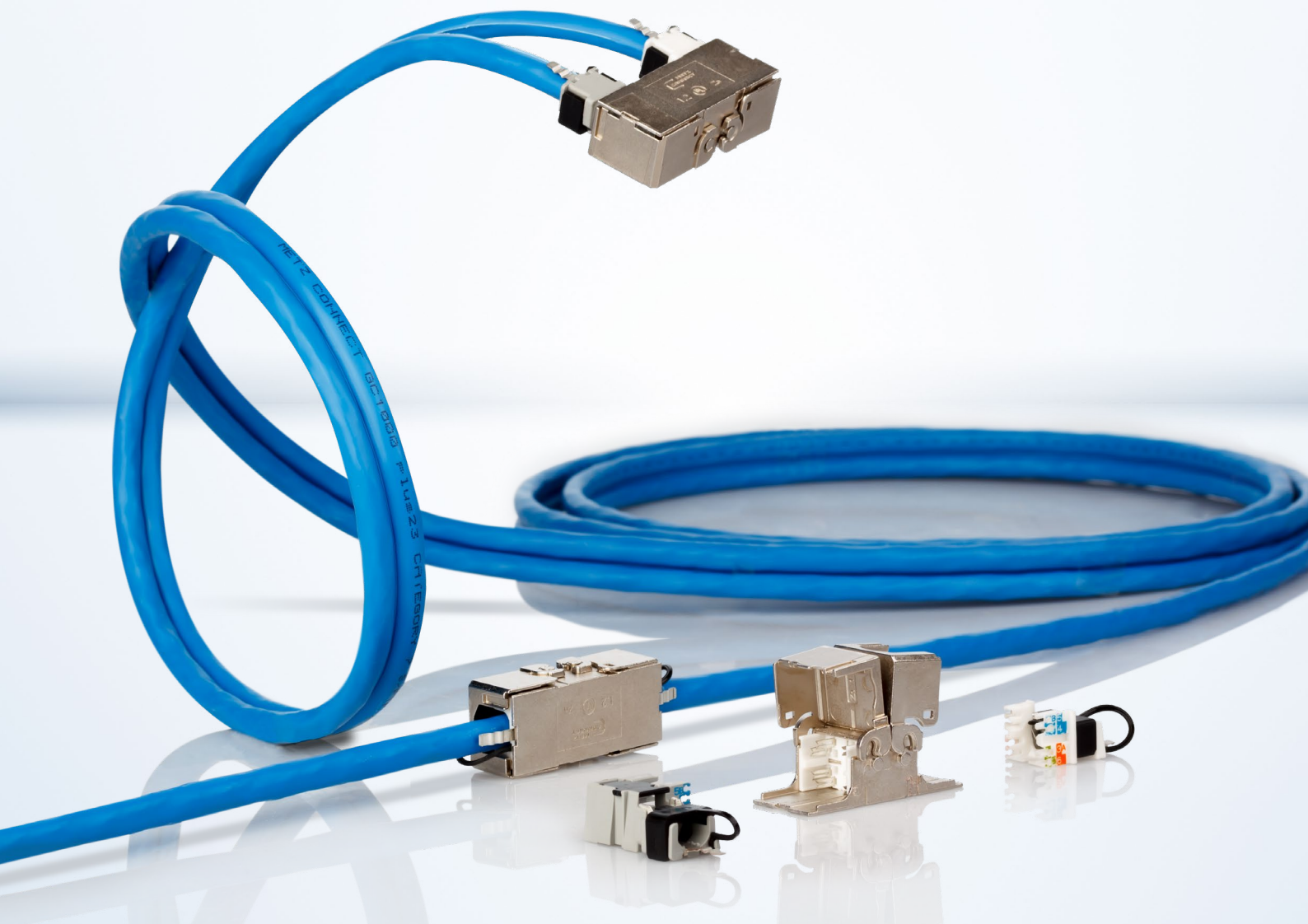


Cable Connector Class E_A – 180°, 270° & 360° for 10 GBit Ethernet



Cable Connector Class E_A

180°, 270° & 360° – for 10 GBit Ethernet

During maintenance, expansion and installation of new cabling, it's possible for a cable to be too short. What to do? Replacement of the entire cable will cause additional work and increase cost. Also, certain local conditions may not allow this.

The Class E_A cable connector is the intelligent solution for a simple extension or connecting of data cable without the need for special tools. Thanks to its compact design and the angled variants, it can be used in a wide variety of applications, even in confined spaces. With a

Class E_A compliance, links with up to 10 GBit/s can be achieved without any problems. The cable connector is therefore a problem solution for almost any network infrastructure, and should be included in every toolbox as basic equipment!



10
10 GBIT/s



INTELLIGENT
CABLE MANAGEMENT

Easy to install connection with
IDC cutting contacts
AWG 26/1 – 22/1 and AWG 26/7 – 22/7

Strain relief through inte-
grated locking clip

Line assignment T568A and T568B
directly on the loading piece

Compact design
46.6 x 14.7 x 22.6 mm

robust, one-piece and
reusable zinc die-cast housing

Shield clamp for a
360° shielding

Same loading piece
as C6_Amodul



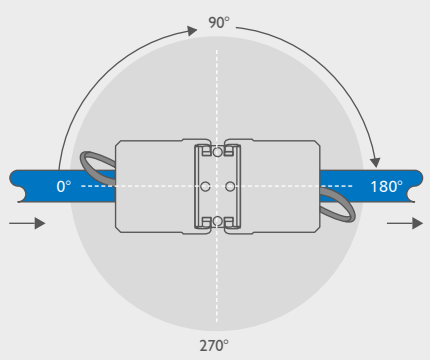
ONLY THREE
PARTS



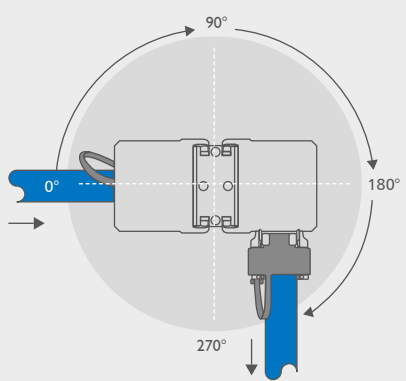
EASY ASSEMBLY
WITHOUT SPECIAL TOOLS

Variants

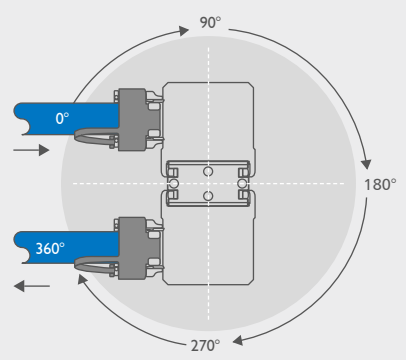
Cable Connector Class E_A 180°



Cable Connector Class E_A 270°



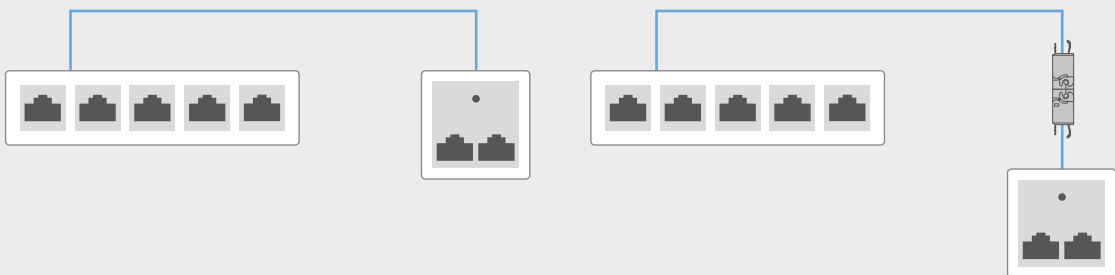
Cable Connector Class E_A 360°



Application examples

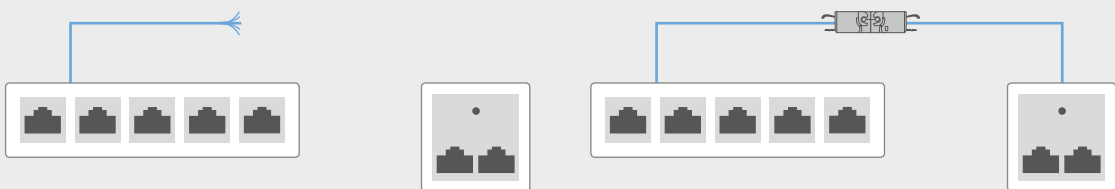
Infrastructure relocation

e.g. workstation or network distribution cabinet



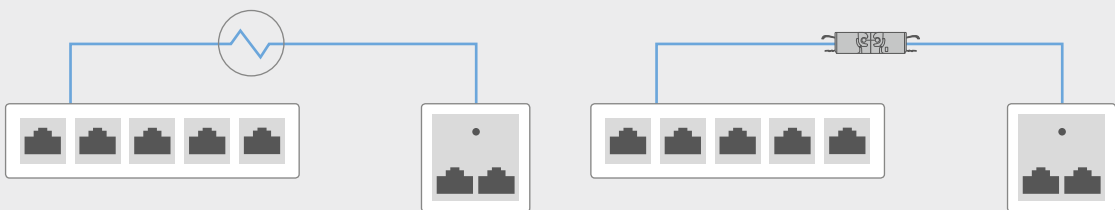
Cable extension

e.g. cable too short



Repair

e.g. defective cable

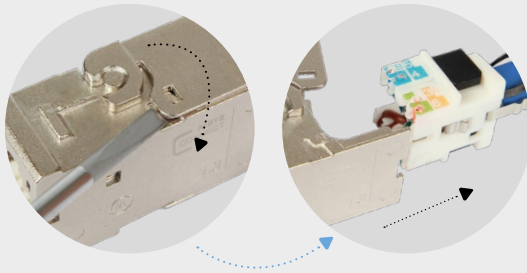


Relocation of existing infrastructure with C6_Amodul

If the C6_Amodul was used in an existing infrastructure, a relocation can be performed more easily and quickly since the loading piece of the C6_Amodul can be used in the Class E_A cable connector. Through this, only one side has to be connected again.

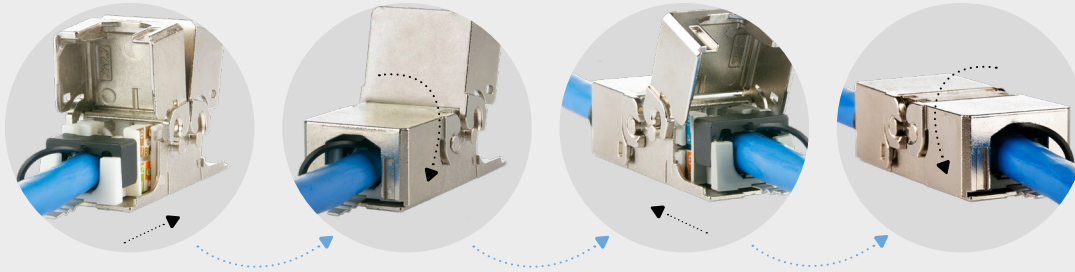
1 C6_Amodul disassembly

Remove loading piece from the C6_Amodul



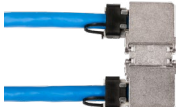


2 Mounting of the cable connector Class E_A

Insert the loading piece into the cable connector and close



Product overview

	PRODUCT NAME	VARIANT	PART NUMBER
	Cable Connector Class E _A	180°	130863-04-E
	Cable Connector Class E _A	270°	130863-05-E
	Cable Connector Class E _A	360°	130863-06-E

Click & fix

19" carrier for cable connector

19" cable connector bracket for use as a consolidation point, for moving distributors or complete distribution cabinets.

19" carrier for mounting
in the distribution cabinet

Up to 24 cable connectors

Suitable for METZ CONNECT
Cable connectors

- > Class FA P/N 130863-02-E
- > Class EA P/N 180°/130863-04-E
- > Class EA P/N 360°/130863-06-E

One height unit



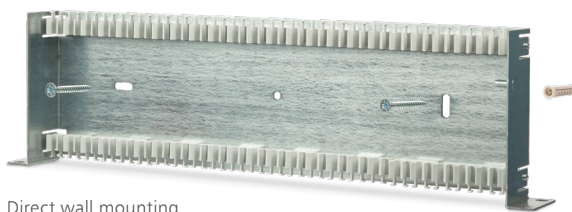
Quick mounting



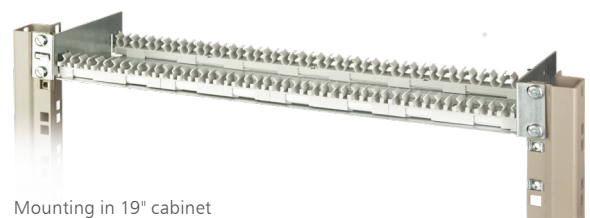
Simple cable management
with click/lock principle



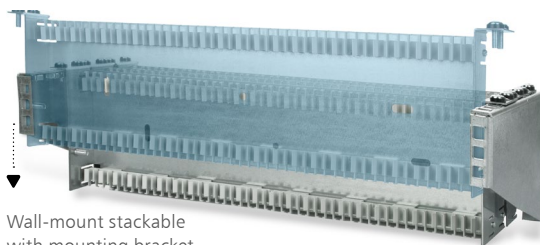
Suitable for a direct
wall mounting



Direct wall mounting



Mounting in 19" cabinet



Wall-mount stackable
with mounting bracket



Wall mounting in 19" surface mount housing
1 or 2HU

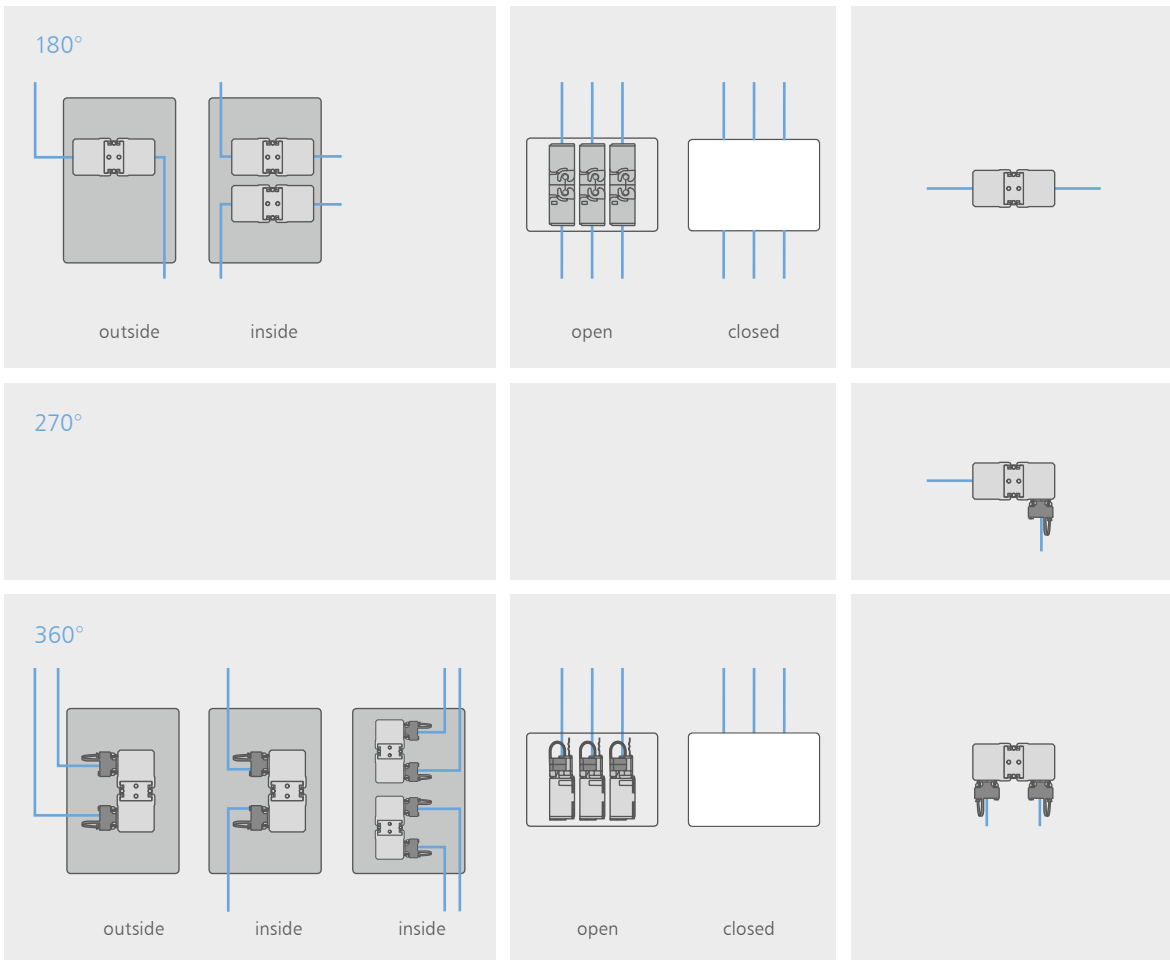
130862-1H20-E
130862-2H20-E

Application possibilities for cable connectors with and without 19" carrier in different cable outlet directions


19" cabinet

Wall mounting

Free laying
Cable tray and cable duct



Product overview

	PRODUCT NAME	VARIANT	PART NUMBER
	Click & fix 19" carrier for cable connector	1.0HU	130863T101E

METZ CONNECT GmbH is member of the following organizations and associations.



METZ CONNECT GmbH
Im Tal 2
78176 Blumberg
Germany

Phone +49 7702 533- 0
Fax +49 77 02 533-189

info@metz-connect.com
www.metz-connect.com



METZ CONNECT USA Inc.
200 Tornillo Way
Tinton Falls, NJ 07712
USA
Phone + 1-732-389-1300
Fax + 1-732-389-9066

METZ CONNECT France SAS
28, Rue Schweighaeuser
67000 Strasbourg
France
Phone + 33 38 86 170 73
Fax + 33 38 86 194 73

METZ CONNECT Zhongshan Ltd.
Ping Chang Road
Ping Pu Industrial Park
Sanxiang Town
Zhongshan City, 528 463
Guangdong Province
China
Phone + 86 760 86365 055
Fax + 86 760 86365 050

METZ CONNECT Asia Pacific Ltd.
Suite 1803, 18/F
Chinachem Hollywood Centre,
1 Hollywood Road, Central
Hong Kong
Phone + 852 26 027 300
Fax + 852 27 257 522

